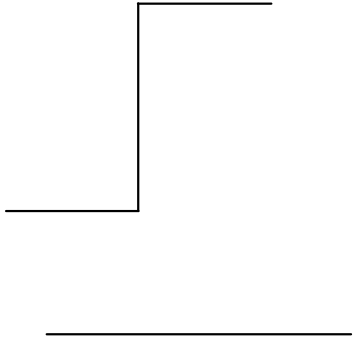
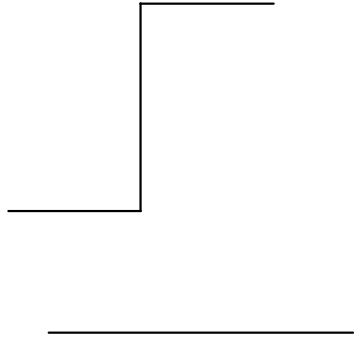


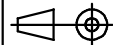

—

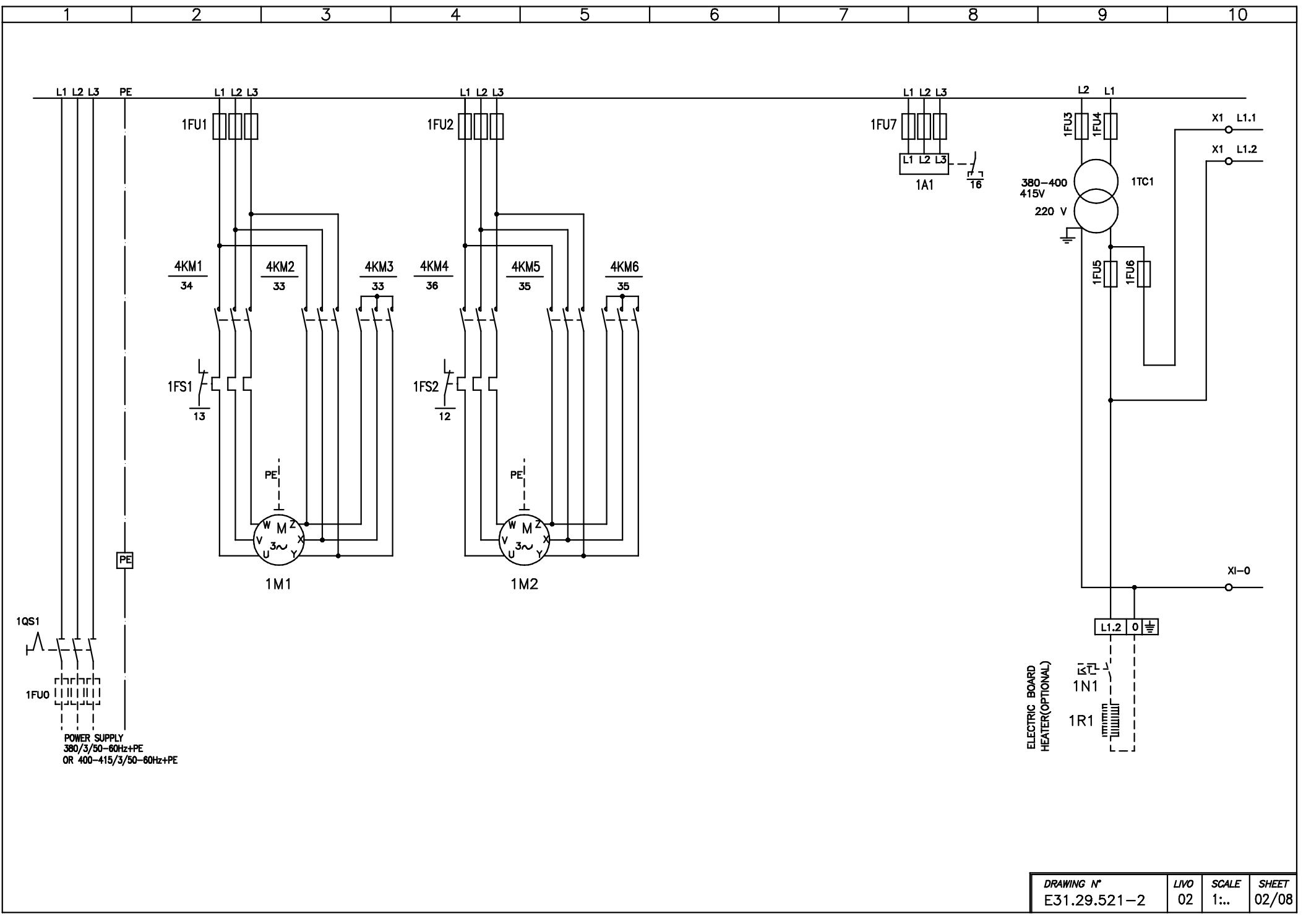


—



ALLEGATO N°5

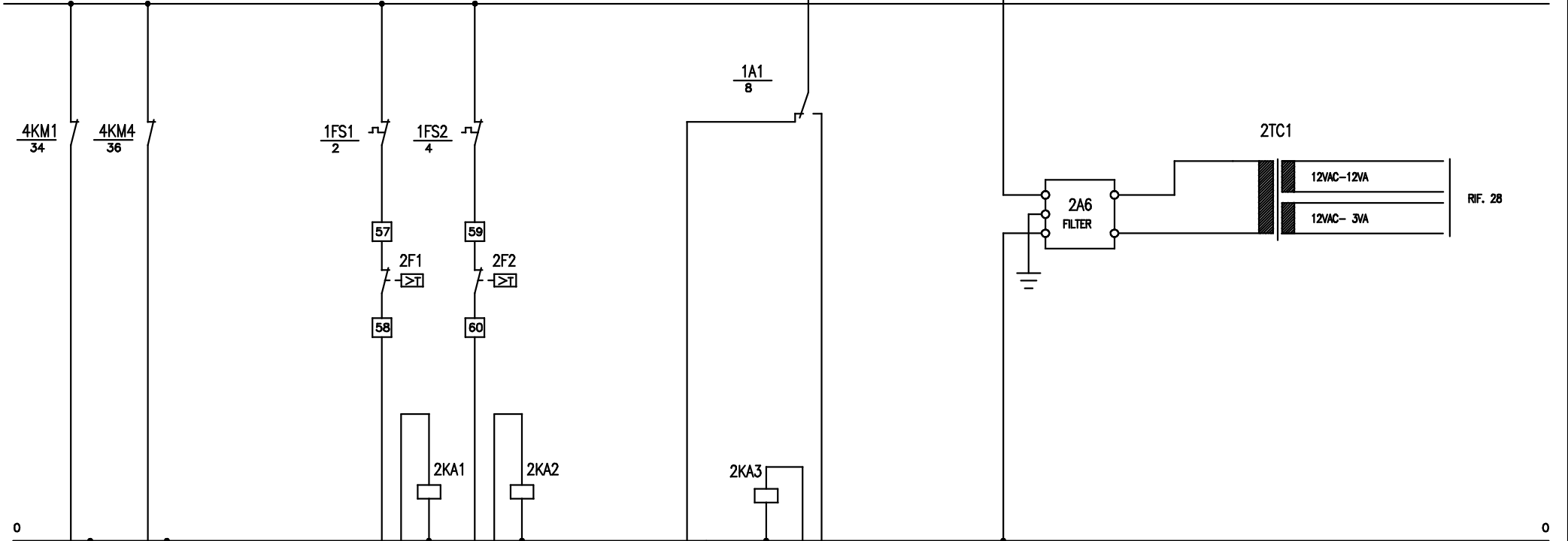
02	PED	27/03/02	
01	PRESS. DOPPI TUV+INIEZIONE DI LIQUIDO	04/08/00	
REV N°	DESCRIPTION	DATE	SIGN.
DESCRIPTION: WIRING DIAGRAM TC/SRAT/HT 0802-1002 TC/SRAT/B/HT 1202 (CVM20)		DRAWING N° E31.29.521-2	
DRAWN :	DATE : 02/08/99	SUBSTITUTES N° : ..	
AUDITEN :	DATE : 02/08/99	SUBSTITUTED BY N°: ..	
FILE : /E/E3129521-2	LIVO : 01	SCALE 1:	SHEET 01 OF 08
	BY TERMS OF LAW THIS DRAWING CANNOT BE REPRODUCED WITHOUT OUR WRITTEN AUTHORIZATION		



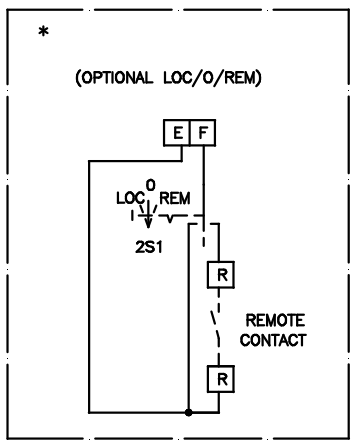
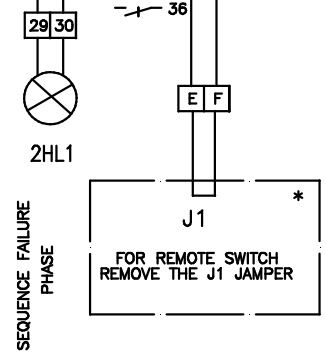
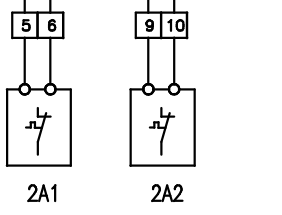
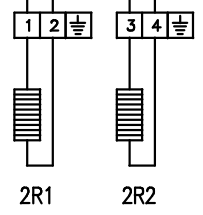
DRAWING N°	LIVO	SCALE	SHEET
E31.29.521-2	02	1:..	02/08

L1.1 L1.1

L1.2 L1.2

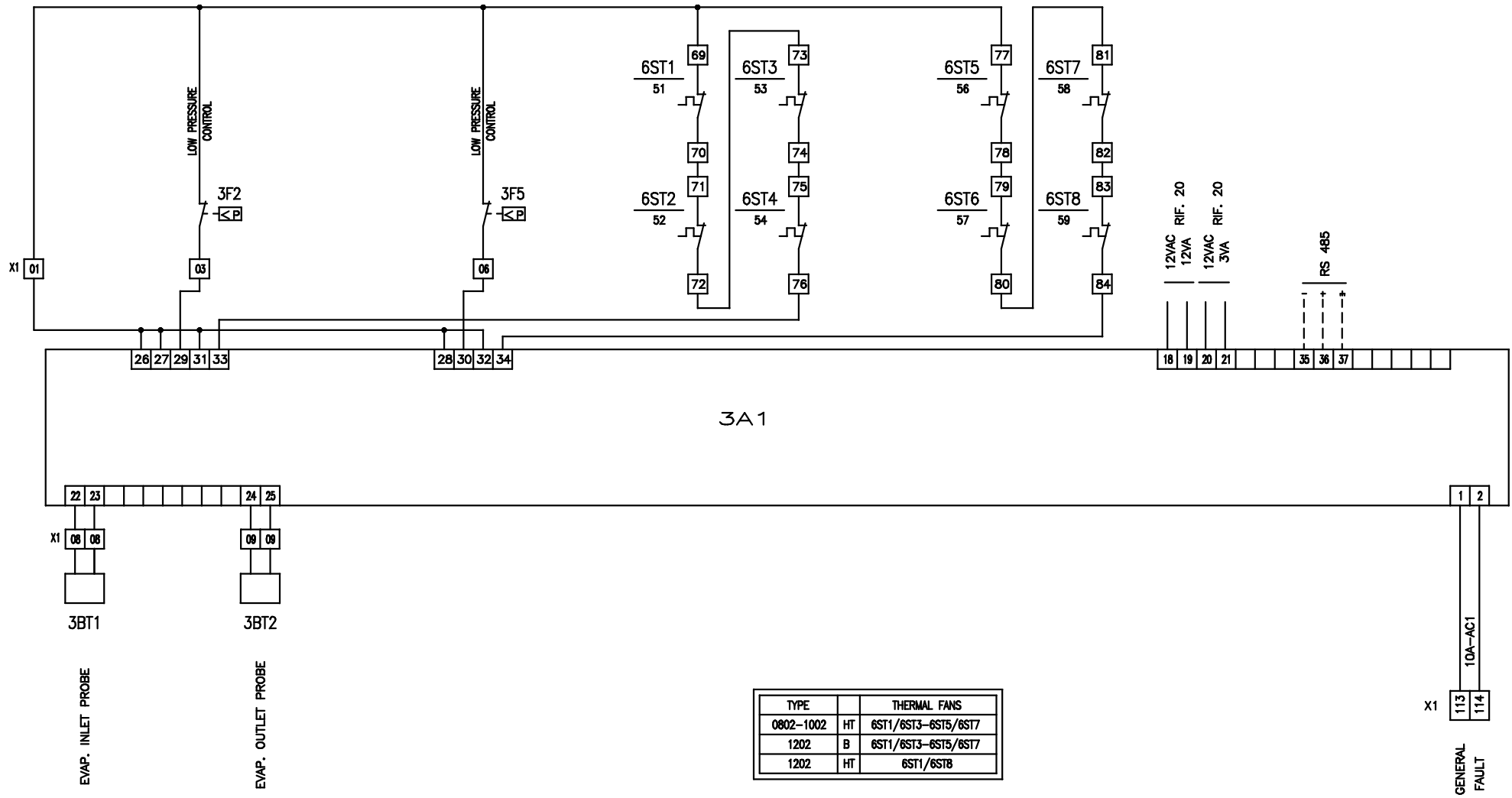


0 0



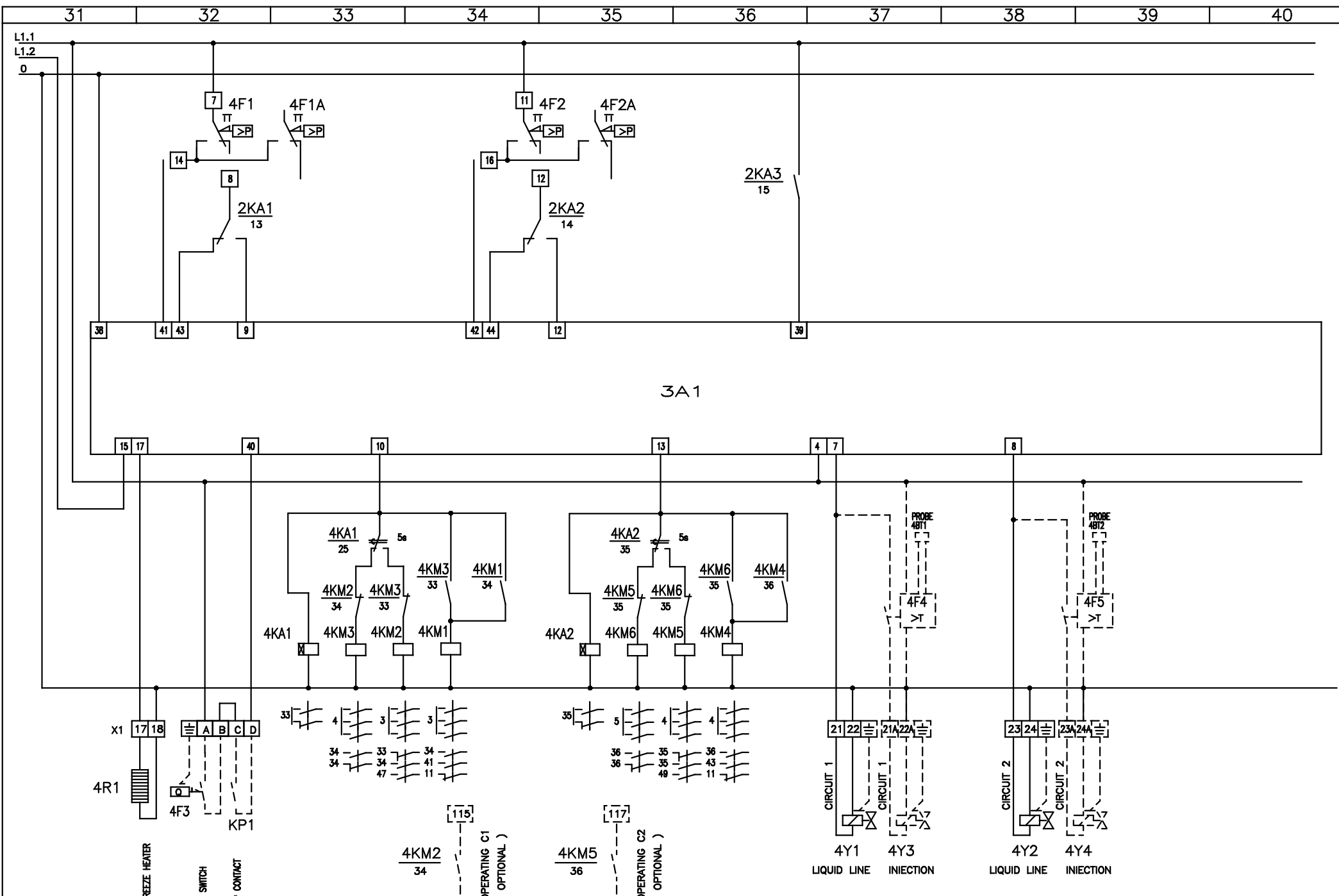
DRAWING N°	LIVO	SCALE	SHEET
E31.29.521-2	03	1:..	03/08

RIF. 28



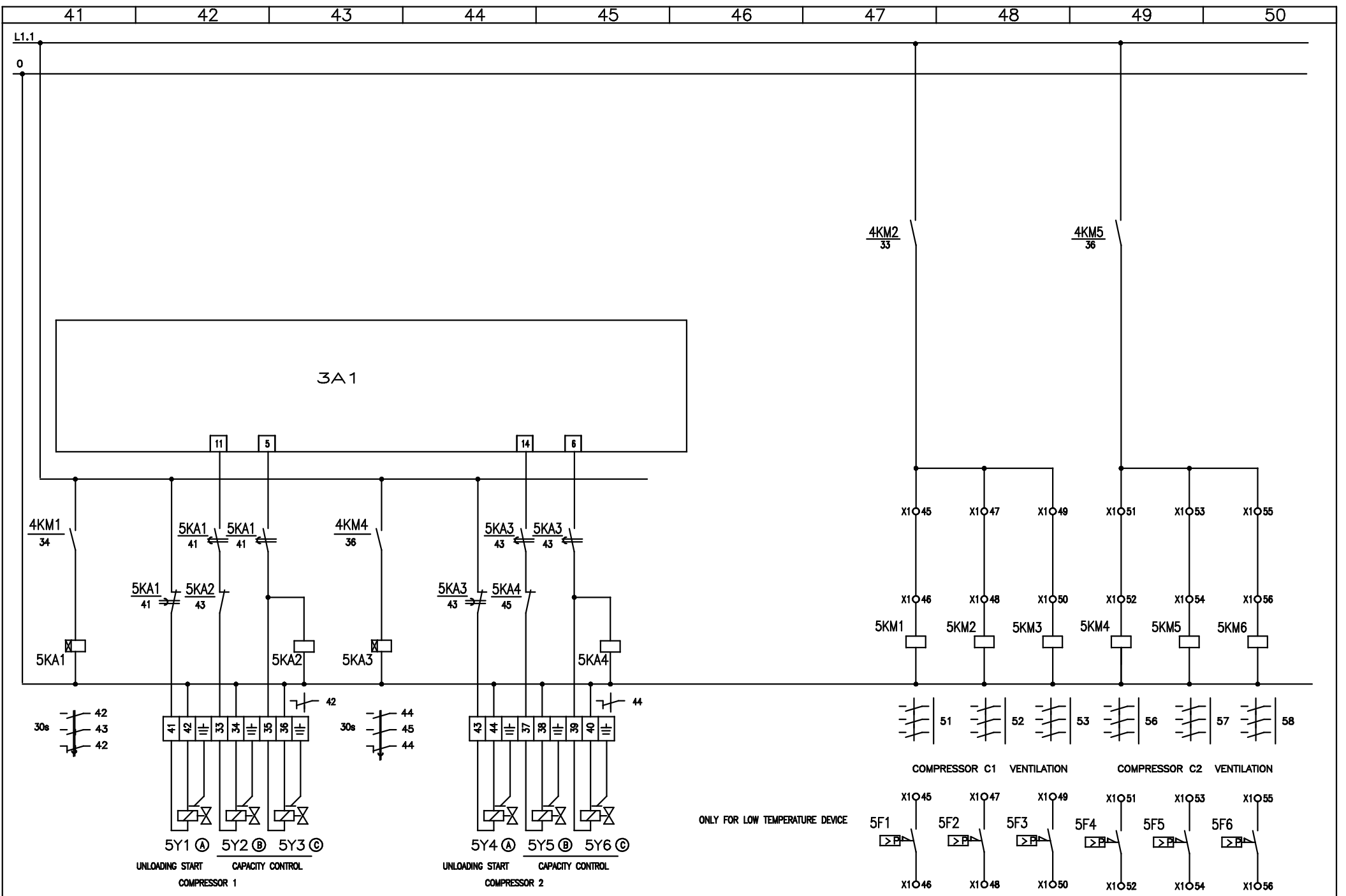
3A1

TYPE		THERMAL FANS
0802-1002	HT	6ST1/6ST3-6ST5/6ST7
1202	B	6ST1/6ST3-6ST5/6ST7
1202	HT	6ST1/6ST8

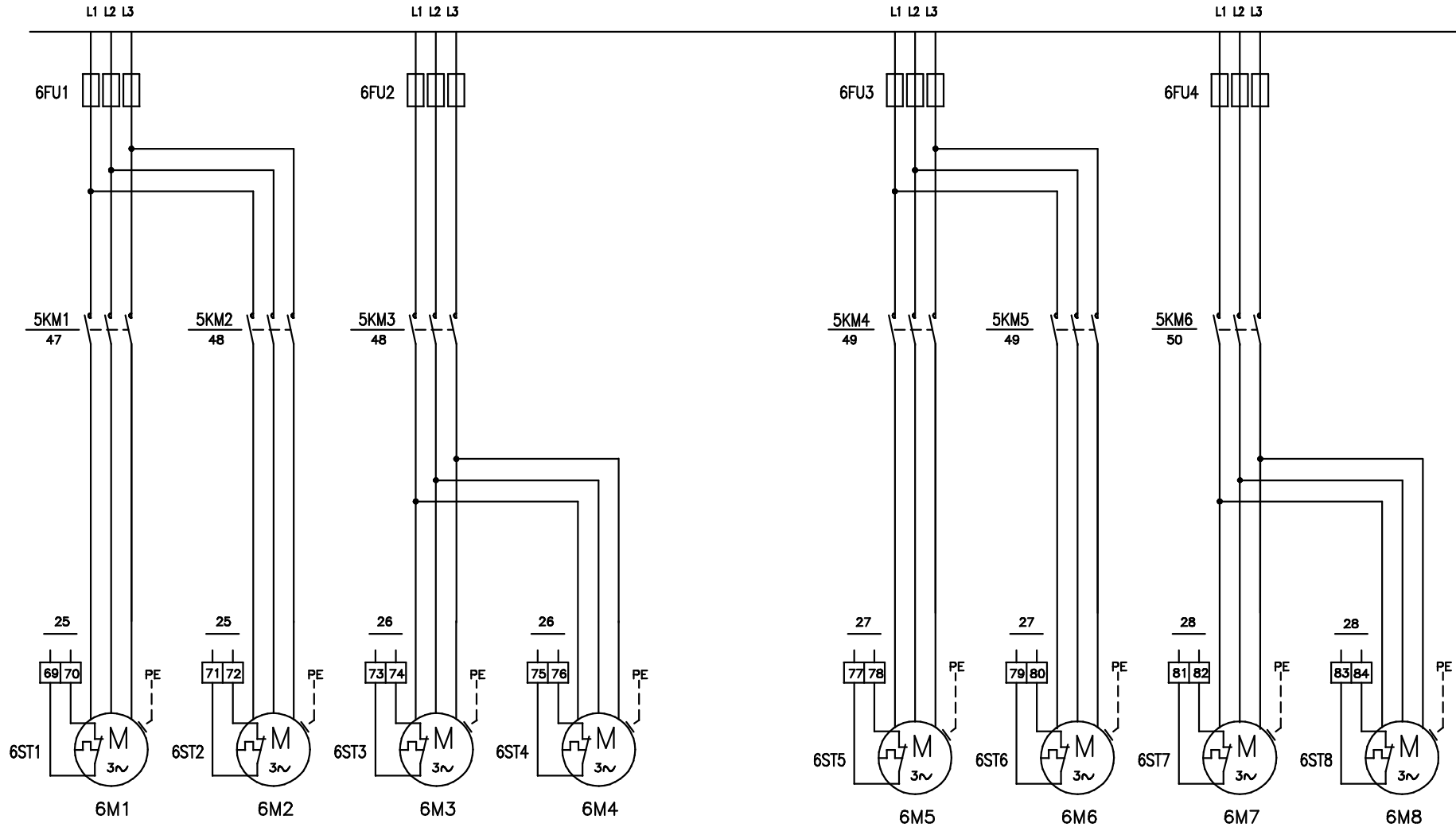


4Y3-4Y4 ONLY FOR NEGATIVE WATER TEMP.

DRAWING N°	LIVO	SCALE	SHEET
E31.29.521-2	05	1:..	05/08



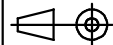

DRAWING N° E31.29.521-2	LIVO 06	SCALE 1:..	SHEET 06/08
----------------------------	------------	---------------	----------------



TYPE		FANS
0802-1002	HT	6M1/6M3-6M5/6M7
1202	B	6M1/6M3-6M5/6M7
1202	HT	6M1/6M8

1	2	3	4	5	6	7	8	9	0
Nr.	Identificazione simbolo Identifying symbol of device	Descrizione / Description	Nr.	Identificazione simbolo Identifying symbol of device	Descrizione / Description				
1	1FU0	Fusibili generali (in campo) Main fuse (on site)	29	4BT1-4BT2	Sonda scarico compressore Discharge temp. probe				
2	1QS1	Sezionatore Mains isolator	30	4F3	Flussostato/press. differenziale (opzionale) Flow switch/differential pressure switch (optional)				
3	1FU1-1FU2	Fusibili compressori Compressors fuses	31	4R1	Resistenza risc. evaporatore Evap. antifreeze heater				
4	1FU3-1FU4-1FU5-1FU6	Fusibili ausiliari Auxiliary fuse	32	KP1	Consenso pompa evap.(in campo) Evap. pump contact (on site)				
5	1FU7	Fusibili sequenza fasi Sequence phase fuses	33	5KA1-5KA3	Temporizzatori Time delay relay				
6	1A1	Rele' sequenza fasi Sequence phase relay	34	5KA2-5KA4	Rele' ausiliario Auxiliary relay				
7	1FS1-1FS2	Protezione termica compressore Compressor thermal overload relay	35	5Y2-5Y3-5Y5-5Y6	Parzializzazioni Capacity control valve				
8	1TC1	Trasformatore ausiliari Auxiliary transformer	36	5Y1-5Y4	Solenoidi partenze avuoto Unload start compr.				
9	1M1-1M2	Compressore Compressor	37	5F1/5F3	Pressostati controllo condensazione (circuito 1) Pressure condenser control (circuit 1)				
10	1N1-1R1	Resistenza + termostato riscald. Q.E.(opzionale) Electrical board heater (optional)	38	5F4/5F6	Pressostati controllo condensazione (circuito 2) Pressure condenser control (circuit 2)				
11	2R1-2R2	Resistenze carter compressore Compressor crankcase heater	39	5KM1/5KM6	Contattori ventilatori Fans contactor				
12	2A1-2A2	Protezione termica compressore Compressor thermal overload	40	6ST1/6ST8	Termiche ventilatori Thermal fans				
13	2F1-2F2	Termostato scarico compressore Discharge control thermostat	41	6FU1/6FU4	Fusibili ventilatori Fans fuse				
14	2A6	Filtro disturbi alimentazione Filter	42	6M1/6M8	Ventilatori Fans				
15	2KA1/2KA3	Rele' ausiliario Auxiliary relay	43						
16	2S1	Commutatore loc./o/remoto(opzionale) Loc/o/rem. switch (optional)	44						
17	2HL1	Lampada allarme sequenza fasi Failure sequence phase	45						
18	2TC1	Trasformatore ausiliari Auxiliary transformer	46						
19	3A1	Unita' di elaborazione Elaboration module (CPU)	47						
20	3BT1-3BT2	Sonde di temperatura Temperature probe	48						
21	3F2-3F5	Press. bassa pressione Low pressure control	49						
22	4KM1/4KM6	Contattori compressori Contactors compressor	50						
23	4KA1-4KA2	Temporizzatori Time delay relay	51						
24	4Y1-4Y2	Valvola solenoide linea liquido Liquid line solenoid valve	52						
25	4Y3-4Y4	Valvola solenoide iniezione di liquido Injecton solenoid valve	53						
26	4F1-4F2	Pressostati massima sicurezza High safety pressure	54						
27	4F1A-4F2A	Pressostati massima High pressure	55						
28	4F4-4F5	Termostato Control thermostat	56						

ALLEGATO N°5

02	PED	27/03/02	
01	PRESS. DOPPI TUV+INIEZIONE DI LIQUIDO	04/08/00	
REV N°	DESCRIPTION	DATE	SIGN.
DESCRIPTION: WIRING DIAGRAM TC/SRAT/HT 0802-1002 TC/SRAT/B/HT 1202 (CVM20)		DRAWING N° E31.29.521-2	
DRAWN :	DATE : 02/08/99	SUBSTITUTES N° : ..	
AUDITEN :	DATE : 02/08/99	SUBSTITUTED BY N°: ..	
FILE : /E/E3129521-2	LIVO : 01	SCALE 1:	SHEET 01 OF 08
	BY TERMS OF LAW THIS DRAWING CANNOT BE REPRODUCED WITHOUT OUR WRITTEN AUTHORIZATION		 TREVISO ITALIA